

# D85 In Line Flow Thru Seal

30 to 600 psi (207 to 4,140 kPa)



## Description & Features:

- Two piece construction
- Clean-out design allows process media to flow through the seal
- Reduces potential for process media blockages inside diaphragm housing
- 1 year warranty

## Applications:

- Where the process fluid is corrosive or viscous and would clog instrument internals/solidify within the pressure gauge, switch or transmitter

## Specifications

<b>Housing</b>	316 SS
<b>Construction</b>	Two piece construction
<b>Connection</b>	Instrument: 1/4", 1/2" NPT Process: 1/4", 1/2", 3/4", 1" NPT or socket weld
<b>Process Temperature</b>	-22°F to 302°F (-30°C to 150°C). Other ranges are available upon request
<b>Other</b>	Other materials such as carbon steel are available upon request

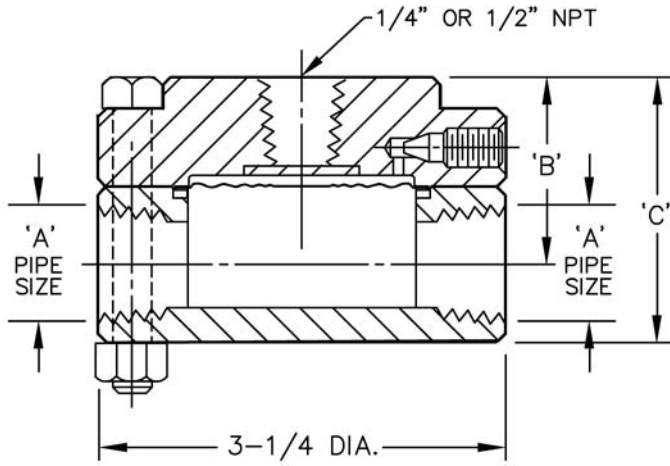
## Order Codes

Lower Housing (process conn.)	Upper Housing (instrument conn.)	Diaphragm	Order Code
1/4" NPT	1/4"	316 SS Welded	D852536
1/4" NPT	1/2"	316 SS Welded	D852537
1/2" NPT	1/4"	316 SS Welded	D852540
1/2" NPT	1/2"	316 SS Welded	D852541
3/4" NPT	1/4"	316 SS Welded	D852544
3/4" NPT	1/2"	316 SS Welded	D852545
1" NPT	1/4"	316 SS Welded	D852690
1" NPT	1/2"	316 SS Welded	D852691
1/4" Socket Weld	1/4"	316 SS Welded	D852538
1/4" Socket Weld	1/2"	316 SS Welded	D852539
1/2" Socket Weld	1/4"	316 SS Welded	D852542
1/2" Socket Weld	1/2"	316 SS Welded	D852543
3/4" Socket Weld	1/4"	316 SS Welded	D852546
3/4" Socket Weld	1/2"	316 SS Welded	D852547
1" Socket Weld	1/4"	316 SS Welded	D852692
1" Socket Weld	1/2"	316 SS Welded	D852693

### Option suffix for above order codes only:

SF-D = Silicone fill (seal only)  
 FL-D = Fluorolube fill (seal only)  
 Other fill fluids (seal only) available upon request

Larger displacement diaphragms and other materials available upon request.



A (NPT)	B	C
1/4"	1 1/4"	1 5/8"
1/2"	1 1/2"	2 1/8"
3/4"	1 5/8"	2 3/8"
1"	1 3/4"	2 5/8"