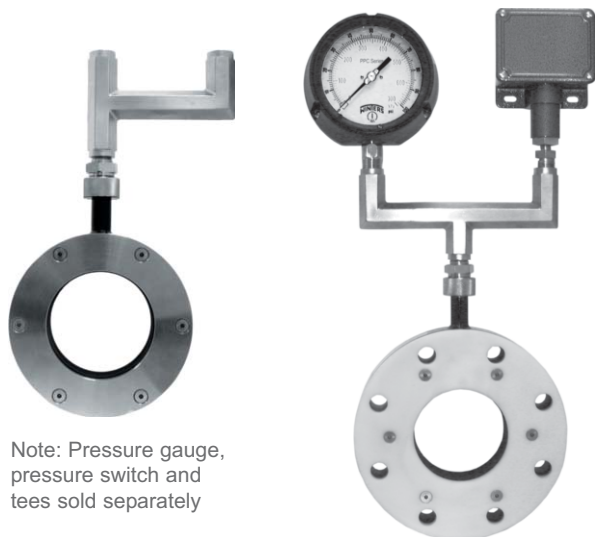


D81 #60 Isolation Ring



Note: Pressure gauge, pressure switch and tees sold separately

30" Hg Vac to 1,000 psi

Description & Features:

- Various materials/configurations available to fit your specific application
- Easy removal of gauge or switch for calibration, repair or replacement without interrupting process flow
- 1 year warranty

Applications:

- This wafer style isolation ring is ideal for measuring pressures of viscous or solid media, utilizing a flow-through system that eliminates clogging or pressure blocking from occurring

Order Codes

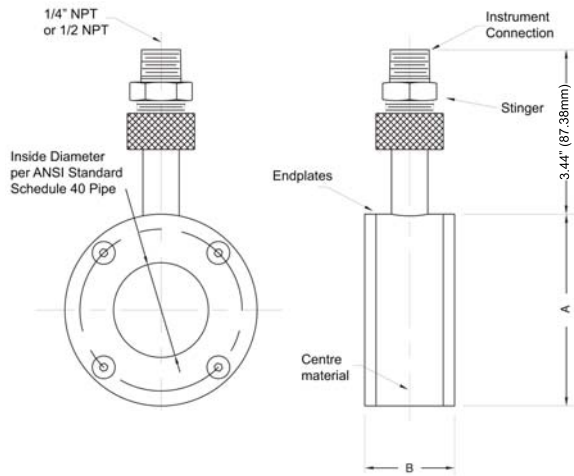
Specifications	
Pressure Range	Vacuum to 1,000 psi
Sensor Type	WIR Wafer, nests inside bolt circle
	RIR Full flange
	SIR Threaded connections
	QIR Tri-Clover sanitary quick connect
	VIR Victaulic connections
	FIR Special construction
Pipe I.D.	1" - 42" 1" (25mm) up to 42" (1067mm). Consult factory for larger sizes
Centre Section	C Carbon Steel
	S 316 SS
	CK Carbon Steel / Kynar® coated
End Plates	S 316 SS
	A Acetal
	C20 Carpenter 20®
	TEF Teflon®
	K Kynar®
	H Hastelloy® C
	T Titanium
	U UHMW / Ultra High Molecular Weight Polyethylene
Elastomer (Sleeve)	N Neoprene (-20°F to 220°F)
	B Nitrile (Buna-N) (-20°F to 180°F)
	E EPDM (Nordel®) (-20°F to 300°F)
	V Fluoroelastomer (Viton®). Available with optional Teflon® coating (-20°F to 375°F)
	CP Chlorosulfonated Polyethylene (Hypalon®) (-20°F to 250°F)
Stinger Material	B Brass
	S SS
Fill Fluid	SF Silicone fluid (-40°F to 400°F)
	V Food Grade Silicone (Optional)
Instrument Conn.	4N 1/4" NPT female
	2N 1/2" NPT female

*Not all options are available with all sensor types

Carpenter® 20 is a registered trademark of Carpenter Technologies
 Hastelloy® is a registered trademark of Haynes International, Inc.
 Hypalon® is a registered trademark of DuPont Performance Elastomers
 Kynar® is a registered trademark of Elf Atochem North America

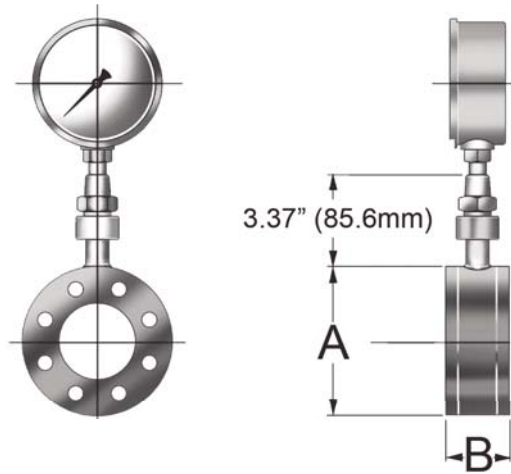
Nordel® is a registered trademark of DuPont Dow Elastomers
 Teflon® is a registered trademark of Dupont Corporation
 Viton® is a registered trademark of DuPont Performance Elastomers

Isolation Ring - Wafer Style (WIR)



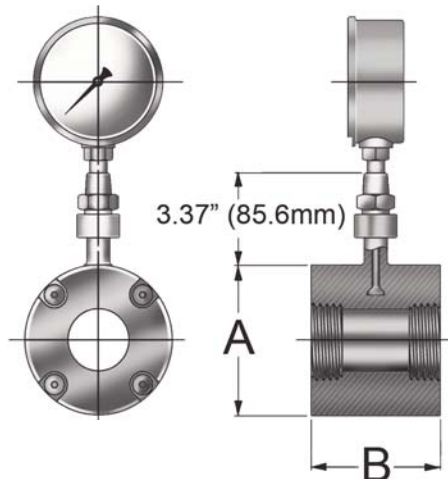
Measurements		
Size	A	B
1"	2.50	1.87
1.5"	3.25	1.87
2"	4.00	1.87
2.5"	4.75	1.87
3"	5.25	1.87
4"	6.75	2.12
5"	7.62	2.25
6"	8.62	2.25
8"	10.87	2.25
10"	13.25	2.81
12"	16.00	3.12
14"	17.62	3.12
16"	20.12	3.12
18"	21.50	3.12
20"	23.75	3.12
36"	41.12	4

Isolation Ring - Full Flange (RIR)



Measurements		
Size	A	B
1"	4.25	1.87
1.5"	5.00	1.87
2"	6.00	1.87
2.5"	7.00	1.87
3"	7.50	1.87
4"	9.00	2.12
5"	10.00	2.25
6"	11.00	2.25
8"	13.50	2.25
10"	16.00	2.81
12"	19.00	3.12
14"	21.00	3.12
16"	23.50	3.12
18"	25.00	3.12
20"	27.50	3.12
24"	32.00	3.12
30"	38.75	3.12
36"	41.12	4.00
42"	53.00	4.00

Isolation Ring - Threaded (SIR)



Measurements		
Size	A	B
0.5"	2.50	2.87
0.75"	2.50	2.87
1"	2.50	3.37
1.5"	3.25	3.37
2"	4.00	3.37
3"	5.25	3.87
4"	6.75	4.12

Stinger



Material	1/4" NPT(F) or 1/2" NPT (M)
Brass	FIR0100
316 SS	FIR0316

Stingers come standard with every isolation ring. Spare stingers can also be purchased separately.