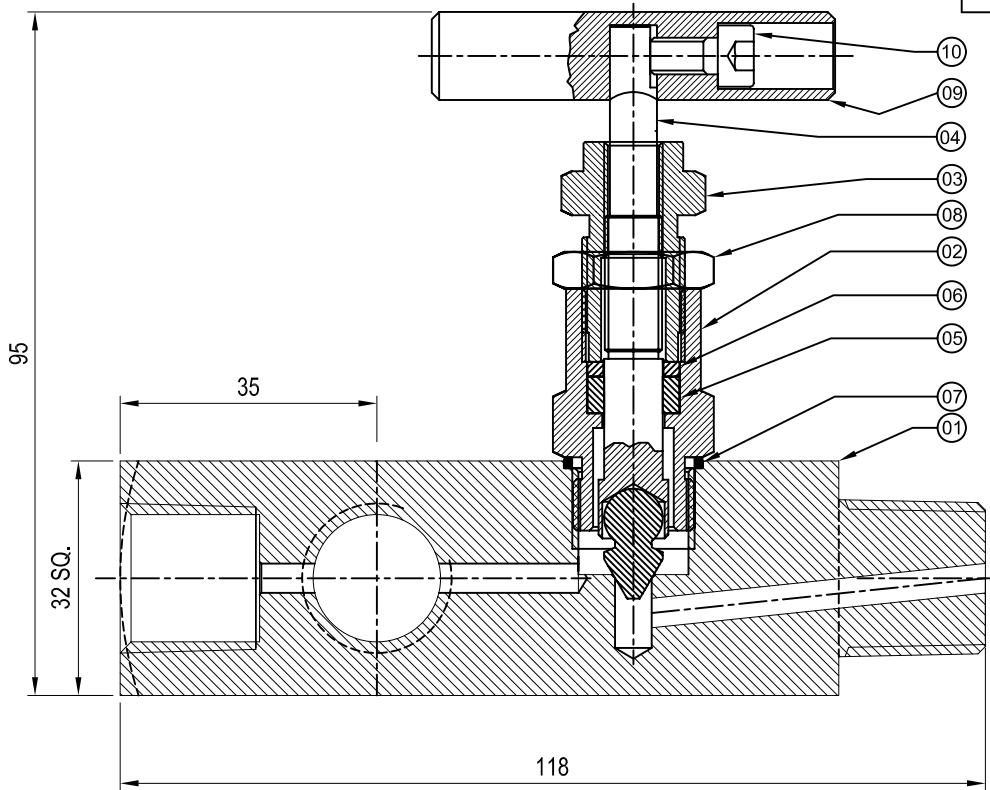


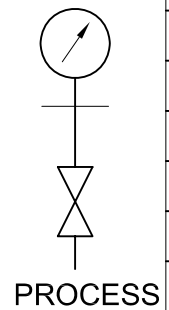
DRG.NO      ∇ 8.25      ∇∇ 1.6-8      ∇∇∇ 0.025-1.6      ∇∇∇∇ < 0.025

REVISION COLUMN      FILE

REV	ZONE	DESCRIPTION	DATE	REMARKS	APPROVED BY



PART NO.	DESCRIPTION	MAT	QTY	DWG.NO.
11	LOCKING PIN	SS316	01	
10	LN BOLT	SS316	01	
09	HANDLE	SS316	01	AB1.1.1/09
08	ADAPTOR LOCK NUT	SS316	01	AB1.1.1/08
07	WASHER	SS316	01	AB1.1.1/07
06	PACKING	SS316	01	AB1.1.1/06
05	GASKET	PTFE	01	AB1.1.1/05
04	NEEDLE	SS316	01	AB1.1.1/04
03	ADAPTOR	SS316	01	AB1.1.1/03
02	BONNET	SS316	01	AB1.1.1/02
01	BODY	SS316	01	AGV3-MF-N12/01



CO-ORDINATED BY

ASS'Y GROUP:      ALL DIMENSIONS ARE IN 'mm' UNLESS OTHERWISE STATED      **ACCUTECH™**

MACHINING DEVIATIONS FOR NON-TOLERANCED DIMENSIONS

SCALE	SCALE	DATE	TITLE
DRAWN	DRN	DATE	1/2" NPT MF MULTI PORT GAUGE VALVE
CHECKED			REF DRG NO: AGV3      REV
APPROVED			DRG.NO: <b>AGV3-MF-N12</b> SHEET OF

LENGTH IN mm OF SHORTER SIDE OF ANGLES				LENGTH OR DIA	UPTO 6	6-30	30-120	120-315
UPTO 10	10-50	50-120	OVER 120-400		±0.1	±0.2	±0.3	±0.5
±1'	±0'-30'	±0'-20'	±0'-10'					